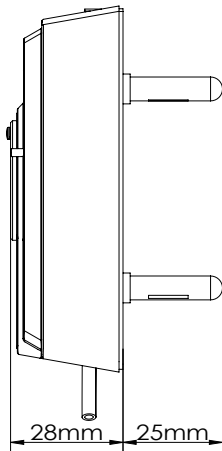
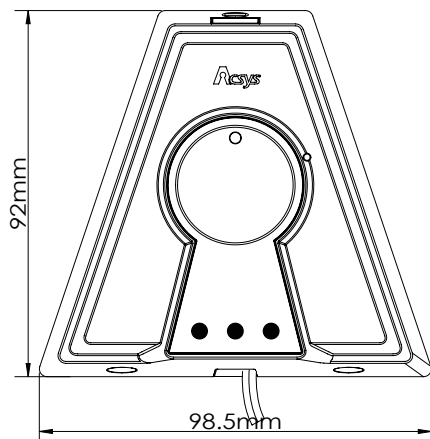


# IP Programmer (A-type)

Product ID : IPAP



The IP Programmer is used to connect Acsys's mechatronic keys and locks with the Acsysware database remotely. Since each programmer is assigned a unique IP address, access rights can be sent to specific programmers and users can enjoy a more convenient means to update their keys. Through a LAN, an IP Programmer can be placed in any location and is used to quickly create, edit, or delete user keys and to upload access logs from keys or locks.



General	
Dimensions	98.5 x 92 x 28 mm
Material	TOP COVER PLASTIC / RAIN CAP ALUMINUM / LED
LED	3, blue color; On / Ready / Busy
IP Rating	IP55
Life Expectancy	5 years; guaranteed 2 years
Environment Specifications	
Operating Temperature	-20 to 65 °C
Operating Humidity	0 to 97 R.H.
Electronic	
Power Supply	DC Power Supply (5V, 100mA)
Connectivity	Wired RJ-45
Encryption Algorithm	AES 128bit
Compatibility	
Keys	All Key Types
Compliance	
Quality Certification	CE, FCC, ROHS