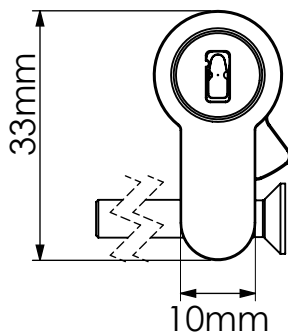
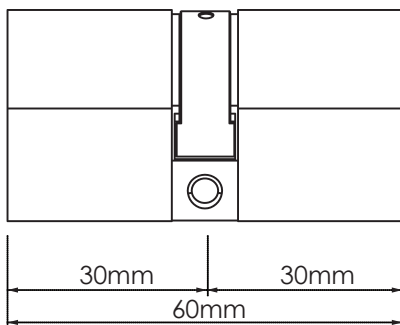


Double Entry Lock

Product ID : DL



The Acsys Double Entry Lock is a two-sided mechatronic cylinder lock, requiring an Acsys Key to open either side. Containing programmable logic to control access of up to 1 million keys and top-grade encryption standards, these electronic features are complemented by a variety of mechanical anti-theft measures.



General	
Dimensions	60mm - 140mm
Material	Brass with stainless steel plating
Standard	Euro DIN
Life Expectancy	100,000 openings; guaranteed for 2 years
Environment Specifications	
Storage Temperature	-20 to 85 Celsius degrees
Storage Humidity	-20 to 97 R.H.
Operating Temperature	-20 to 85 Celsius degrees
Operating Humidity	-20 to 97 R.H.
Logic	
Number of Locks Accessible	1 million
Memory Capacity	1000 logs; 100 blacklisted keys
Electronic	
Power Supply	powered by key
Encryption Algorithm	AES 128bit
Compatibility	
Keys	All Key Types
Compliance	
Quality Certification	CE, FCC, ROHS