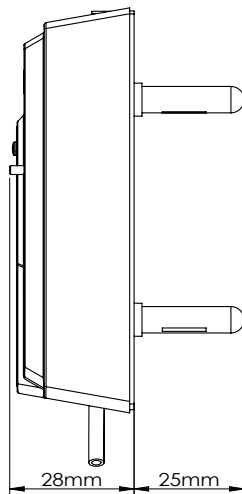
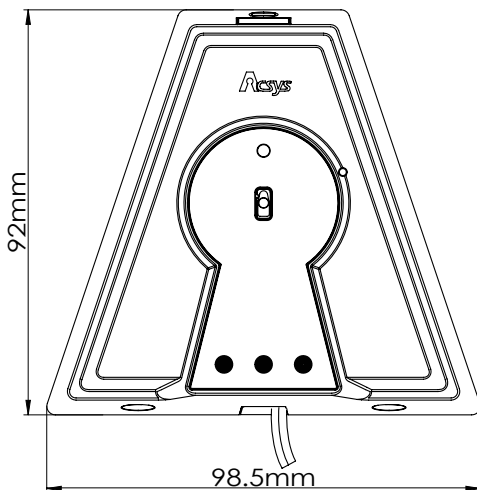


USB Programmer (A-type)

Product ID : USAP



The USB Programmer is used to connect Acsys's mechatronic keys and locks with the Acsysware software installed on a computer. After directly connecting to a computer's USB port, the USB Programmer is used to pass data to and from the Transfer Key to create, edit, and delete locks, blacklist keys, and upload lock access logs. User keys are inserted into the programmer to create, edit, and delete access rights and upload key access logs.



| General | |
|----------------------------|-----------------------------|
| Dimensions | 98.5 x 92 x 28 mm |
| Material | TOP COVER PLASTIC / LED |
| Life Expectancy | 5 years; guaranteed 2 years |
| Environment Specifications | |
| Operating Temperature | -20 to 85 °C |
| Operating Humidity | -20 to 97 R.H. |
| Electronic | |
| Power Supply | USB (DC) (5V, 100mA) |
| Port | Mini USB |
| Encryption Algorithm | AES 128bit |
| Compatibility | |
| Keys | All Key Types |
| Compliance | |
| Quality Certification | CE, FCC, ROHS |