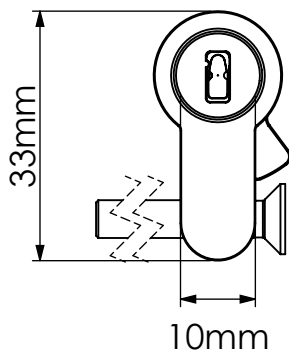
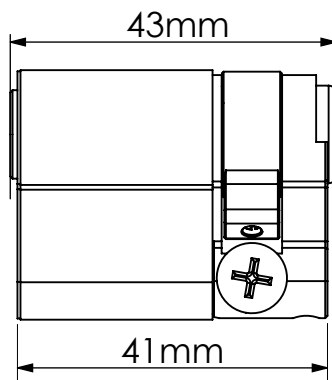


# Single Entry Blind Lock

Product ID : SL



The Acsys Single Entry Blind Lock is a single entry mechatronic cylinder lock. The Single Blind Lock is the most versatile of Acsys's cylinder locks as its compact size allows it to be fitted in not only regular doors but also swinghandles for cabinets and server racks. Containing programmable logic to control access of up to 1 million keys and top-grade encryption standards, these electronic features are complemented by a variety of mechanical anti-theft measures.



| General                    |  |
|----------------------------|--|
| Dimensions                 | 40(10/30)mm - 80(10/70)mm                |
| Material                   | Brass with stainless steel plating       |
| Standard                   | Euro DIN                                 |
| Life Expectancy            | 100,000 openings; guaranteed for 2 years |
| Environment Specifications |  |
| Storage Temperature        | -20 to 85 Celsius degrees                |
| Storage Humidity           | -20 to 97 R.H.                           |
| Operating Temperature      | -20 to 85 Celsius degrees                |
| Operating Humidity         | -20 to 97 R.H.                           |
| Logic                      |  |
| Number of Locks Accessible | 1 million                                |
| Memory Capacity            | 1000 logs; 100 blacklisted keys          |
| Electronic                 |  |
| Power Supply               | powered by key                           |
| Encryption Algorithm       | AES 128bit                               |
| Compatibility              |  |
| Keys                       | All Key Types                            |
| Compliance                 |  |
| Quality Certification      | CE, FCC, ROHS                            |