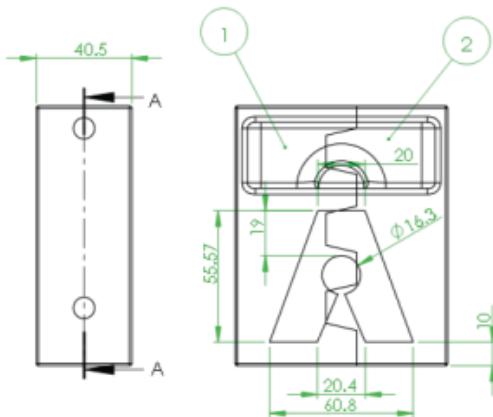


High Security Hasp

Product ID : HSH



The Acsys High Security Hasp is a specially hardened, steel enclosure for the PL5 padlock. By deploying the hasp the PL5 shackle is fully protected, making cutting, prying, drilling, and other means of vandalism impossible. It also serves to reinforce doors, gates, and cabinets and allows a padlock to lock these assets as an alternative to cylinder locks. The Hasp can be installed via bolts or welded for maximum strength.



General	
Dimensions	Type 1: 130 x 120 x 55 mm
	Type 2: 109 x 89 x 40.5 mm
Material	Hardened Steel
Compatibility	
Locks	PL5 Padlock (shackle removable)