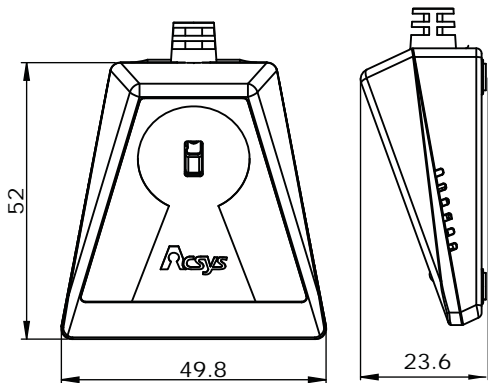


# Mini USB PROGRAMMER

Product ID : ME33-1



The Acsys Mini USB Programmer is used to connect Acsys's mechatronic keys and locks with the Acsysware software installed on a computer. After directly connecting to a computer's USB port, the USB Programmer is used to pass data to and from the Transfer Key to create edit, and delete locks, blacklist keys, and upload lock access logs. User keys are inserted into the programmer to create, edit, and delete access rights and upload key access logs.



<b>Environment Specifications</b>	
Dimensions	52x49.8x23.6
Material	TOP COVER PLASTIC / LED
Life Expectancy	5 years; guaranteed 2 years
Operating Temperature	-20 to 85 °C
Operating Humidity	-20 to 97 R.H.
<b>Electronic</b>	
Power Supply	USB (DC) (5V, 100mA)
Port	USB
Encryption Algorithm	AES 128bit
<b>Compatibility</b>	
Keys	All Key Types
<b>Compliance</b>	
Quality Certification	CE, FCC, ROHS