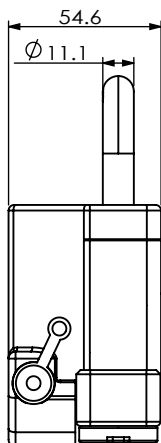
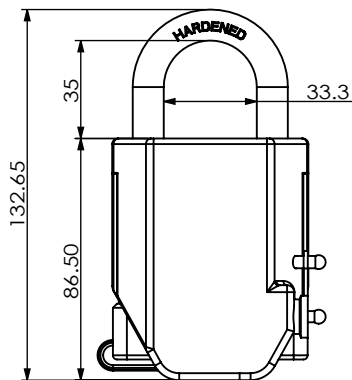
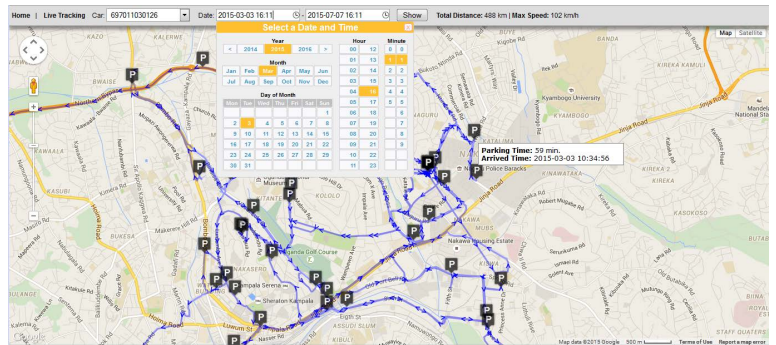


# GPS Padlock

Product ID: GPSP



The Acsys GPS padlock is a standard PL5 padlock which equipped with an additional GPS module that will transmit its position at pre-set intervals. The GPS padlock solution allows you to secure any asset, control when the asset is being used and by whom, but also allows you to monitor its position and track it when it is being moved. The GPS padlock is battery-operated but should the battery be drained, the padlock will still function as its power supply is coming from the key and not from the GPS unit.



General	
Dimensions	70.2 x 132.65 x 54.6 mm
Material	BRASS WITH PLATING; PVC
Life Expectancy	100,000 openings; guaranteed for 2 years
Environment Specifications	
Operating Temperature	-20 to 80 °C
Operating Humidity	0 to 97 R.H.
Logic	
Number of Keys Accessible	1 million
Memory Capacity	1000 logs; 100 blacklisted keys
Lock Electronic	
Power Supply	Powered by key
Encryption Algorithm	AES 128bit
GPS Electronic	
Power Supply	Rechargeable batteries charged with standard 5V 1A Micro USB charger
Wireless Communication	Quad band GSM 2G / GPRS 850/900/1800/1900 MHZ + WCDMA 850/900/1900/2100MHZ + HSDPA / HSUPA
Satellite Navigation System	GPS / GLONASS
Compatibility	
Keys	All Key Types
Compliance	
Quality Certification	CE, FCC, ROHS